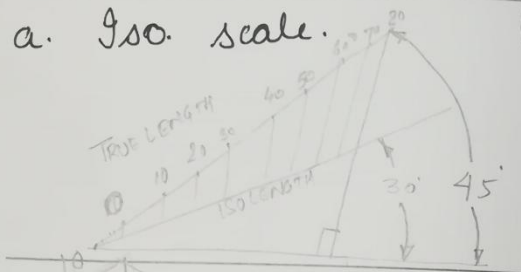


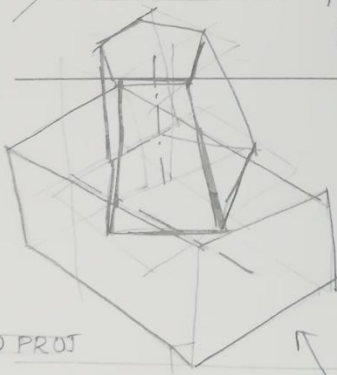
XII - I PRELIMS - MS.

EQ

1. a. Iso. scale.



b.



Helping views - 02

Iso pent - 03

axis - 01

0.7 - 01

Dimⁿ - 01

Angles - 01

Printing - 01

Helping view - 01

Iso dia - 01

axis - 01

Iso dia - 01

Angles - 01

Printing - 01

FV - 01

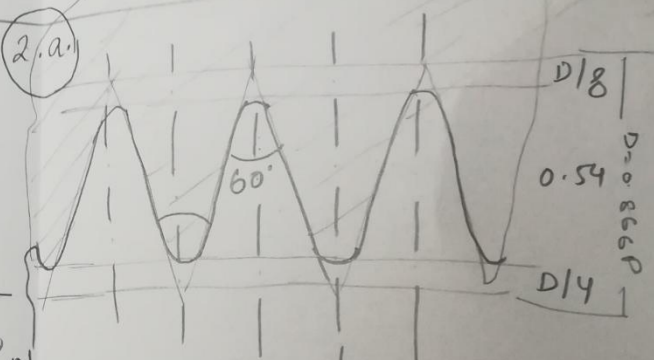
Base

Helping - 01
View

Iso sq - 02

Dim - 01

2. a.



Pitch lines - 01,

Depth - 01,

Arc with const - 01

Angle - 1.

0.7 arc - 01

Hatching lines - 01

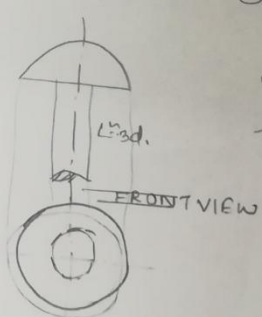
Dimⁿ w.r.t - P - 01.

Printing line work - 01

2. b.

Freehand
circles - d, 1.5d.
1.5d.

Snap head
printing

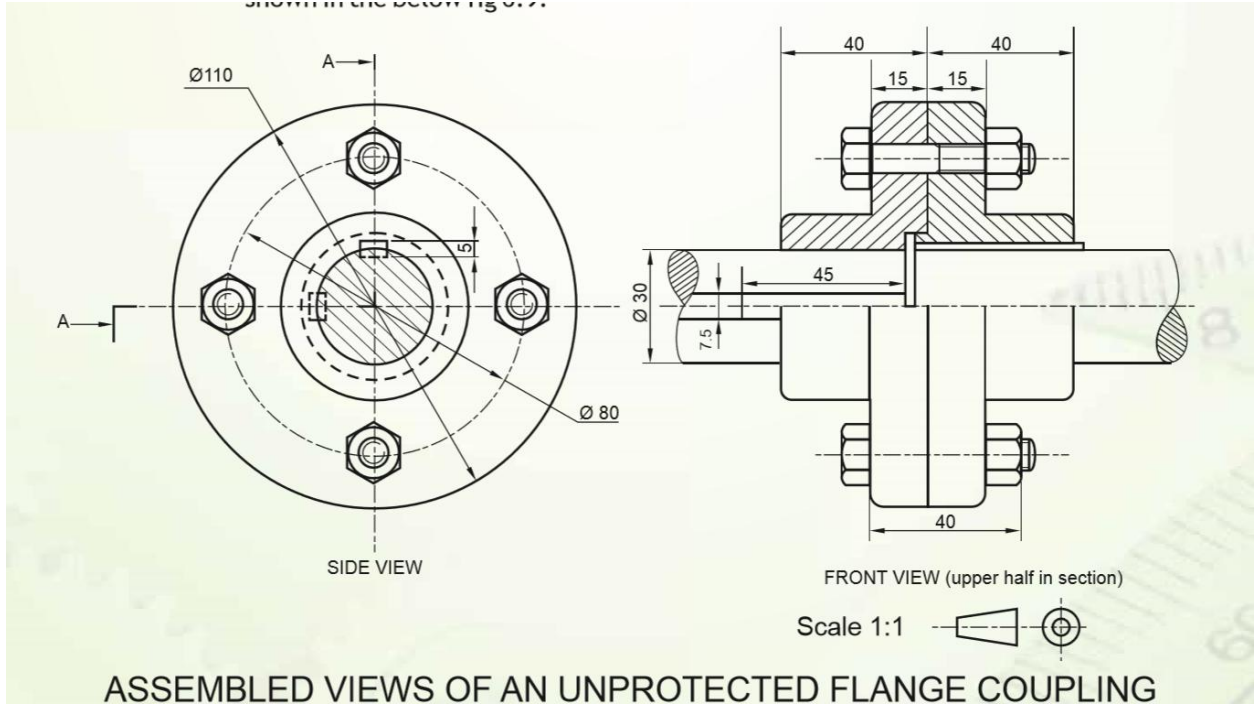


Q3 MCQ's

1. a.
2. d
3. c
4. a.
5. a

SNAP HEAD RIVET

shown in the picture below.



ASSEMBLED VIEWS OF AN UNPROTECTED FLANGE COUPLING